

Induction Heater IH 240-L

Very large heater for bearings up to 1'200 kg

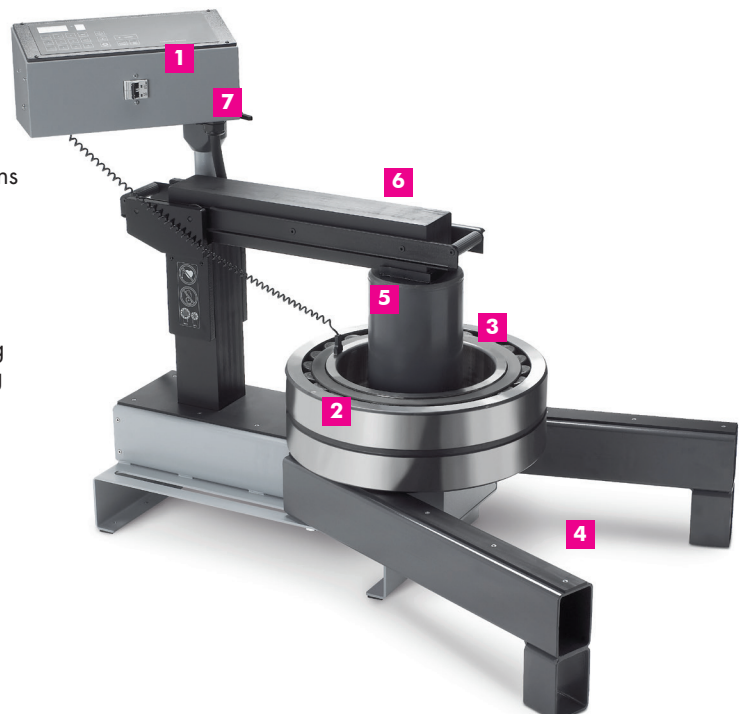


The large simatherm induction heater for roller bearings and other circular metal workpieces up to 1'000 mm bore diameter and a cross section of 460x505 mm. With the integrated time and temperature controls, roller bearings can be heated to the prescribed 110°C while other circular metal workpieces can be heated to 250°C.

- Sliding yoke allows easy loading and unloading
- Can be transported with a forklift or hand lift
- Telescoping support arms for very large workpieces
- Other power versions are available upon request

Description of IH 240-L

- 1** Clear control panel with LED-display
- 2** Heating surface
- 3** Induction coil outside of the housing shortens the heating time and reduces the energy usage
- 4** Telescoping support arms
- 5** Magnetic temperature probe for monitoring the bearing temperature and for preventing overheating
- 6** Sliding yoke
- 7** Main switch

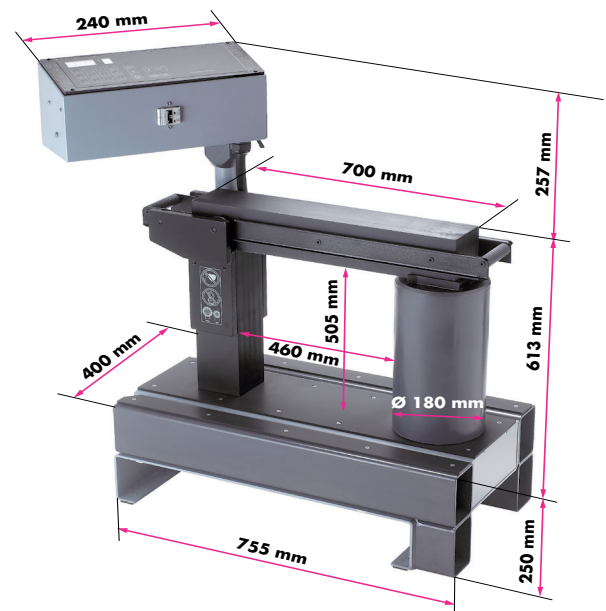


Technical Data IH 240-L

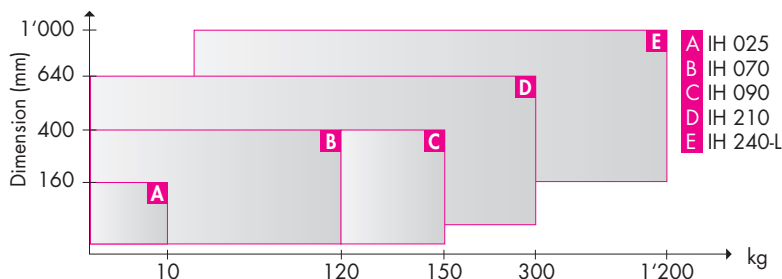
Designation	Heater for large to very large workpieces
Voltage V / Hz / power	400V / 50 Hz / 24 kVA 460V / 60 Hz / 24 kVA
Workpiece	
- Maximum weight	1'200 kg
- Bore diameter	142 – 1'000 mm
Temperature control	
- Range	0 – 250°C
- Magnetic probe	yes, type J
- Accuracy (electronic)	± 3°C
Time control	
- Range	0 – 60 minutes
- Accuracy	± 0.01 seconds
Maximum temperature (approx.)	250°C
Thermometer mode	yes
Bearing temperature mode	yes
Power reduction	yes / 50%
Automatic demagnetization / residual magnetism	yes / < 2A/cm
Suitable for heating sealed bearings	yes
Suitable for heating pre-greased bearings	yes
Error guide codes	yes
Thermal overload protection	yes
Maximum magnetic flux	1.5T
Control panel	keyboard with LED-display
Size of the operating area (W x H)	460 x 505 mm
Coil diameter	186 mm
Measurements (L x W x H)	755 x 400 x 1 120 mm
Overall weight including yokes	320 kg
Number of standard yokes	1
Standard yokes	100 x 100 x 700 mm for bearings with a bore diameter of at least 142 mm
Core cross section	100 x 100 mm
Sliding yoke	yes
Housing material	aluminum

Features and Dimensions IH 240-L

- Can heat bearings weighing 445 kg in 20 minutes from 20°C to 110°C, saving time and energy
- Two different power consumption levels allow smaller bearings to be heated quickly and efficiently with less energy
- A pre-selected temperature of 110°C protects bearings from overheating
- Automatic demagnetization
- Delivered upon request with the Bearing Handling Tool for professional and secure lifting of large bearings
- 3 year manufacturer warranty



The right heater for your needs



When choosing the simatherm heater to suit your needs, everything essentially depends on the dimensions and weight of the workpieces. The graphic serves as a selection guide.

© simatec 03.07.2018

simatec ag
Stadthof 2
CH-3380 Wangen a. Aare

Tel.: +41 (0)32 636 50 00
Fax: +41 (0)32 636 50 19
welcome@simatec.com
www.simatec.com

simatec
smart technologies