

FITTING TOOL FT33

For the clean and economical mounting of bearings and seals



simatool FT 33 – An installation tool that has proven itself thousands of times

The **simatool FT 33** is an utmost reliable tool for the fast, precise and secure mounting of bearings and seals.

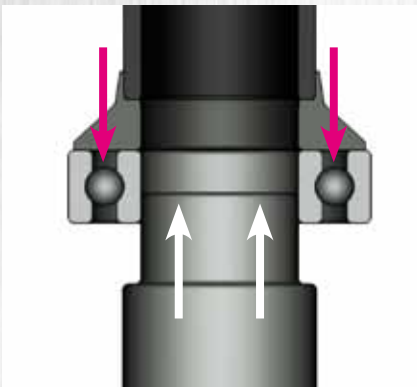
- For shaft diameters of 10 to 50 mm
- The set includes 33 impact rings, 3 impact sleeves, and 1 non-rebound hammer
- Compact toolset includes a selection table in a handy case



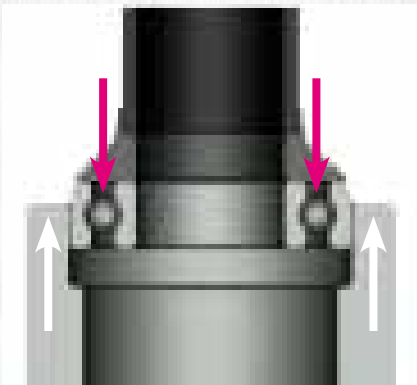
simatool[®]
smart tools



Correct operation of the tool for mounting ball bearings.



Mounting a ball bearing on a shaft.



Mounting a ball bearing in a housing.



simatool Fitting Tool FT 33

With the **Fitting Tool FT 33**, bearings with a bore diameter of 10 to 50 mm are mounted quickly and precisely. The right combination of impact ring and impact sleeve insures that the mounting forces never go through the rolling elements. Because of this, damages to the bearing during mounting are avoided and the life of the bearing is extended. The impact rings are made with the highest precision and quality.

Impact sleeves	Impact rings	Roller bearings of the following series									
A FT 33-A	10 / 26	6000	129		3200						
	10 / 30	6200	1200								
	10 / 30		2200								
	10 / 35	6300	1300								
	12 / 28	6001									
	12 / 32	6201	1201		3201						
	12 / 32		2201								
	12 / 37	6301	1301								
	12 / 37		2301								
	15 / 32	6002									
	15 / 35	6202	1202	7502 B	3202						
	15 / 35		2202								
	15 / 42	6302	1302		3302			30302			
	15 / 42		2302								
	17 / 35	6003									
17 / 40	6203	1203	7203 B	3203			30203				
17 / 40		2203									
17 / 47	6303	1303	7303 B	3303			30303				
17 / 47											
B FT 33-B	20 / 42	6004									
	20 / 47	6204	1204	7204 B	3204		204				
	20 / 47		2204								
	20 / 52	6304	1304	7304 B	3304	22205/20	304	30304	32304		
	20 / 52	6403	2304								
	25 / 47	6005									
	25 / 52	6205	1205	7205 B	3205	22205	205	30205			
	25 / 52		2205								
	25 / 62	6305	1305	7305 B	3305	21305	305	30305	31305		
	25 / 62	6404	2305						32305		
	30 / 55	6006									
	30 / 62	6206	1206	7206 B	3206	22206	206	30206			
	30 / 62		2206					32206			
	30 / 72	6306	1306	7306 B	3306	21306	306	30306	31306		
	30 / 72	6405	2306				405	30306	32306		
C FT 33-C	35 / 62	6007									
	35 / 72	6207	1207	7207 B	3207	22207	207	30207			
	35 / 72		2207					32207			
	35 / 80	6307	1307	7307 B	3307	21307	307	30307	31307		
	35 / 80	6406	2307				406	30307	32307		
	40 / 68	6008									
	40 / 80	6208	1208	7208 B	3208	22208	208	30208			
	40 / 80		2208								
	40 / 90	6308	1308	7308 B	3308	21308	308	30308	31308		
	40 / 90	6407	2308			22308	407	30308	32308		
	45 / 75	6009									
	45 / 85	6209	1209	7209 B	3209	22209	209	30209			
	45 / 85		2209					32209			
	45 / 85										
	45 / 100	6309	1309	7309 B	3309	21309	309	30309	31309		
	45 / 100	6408	2309			22309	408	30309	32309		
	45 / 100*	6013	1211	7211 B	3211	22211	211				
	45 / 100*	6211	2211								
	50 / 80	6010									
	50 / 90	6210	1210	7210 B	3210	22210	210	30210			
	50 / 90		2210					32210			
50 / 90*	6011										
50 / 90*	6012										
50 / 110	6310	1310	7310 B	3310	21310	310	30310				
50 / 110	6409	2310			22310	409					
50 / 110*	6014	1212	7212 B	3212	22212	212					
50 / 110*	6015	1213	7213 B	3213	22213	213					
50 / 110*	6212	2212	7311 B	3311	21311	311					
50 / 110*	6213	2213			22311	410					
50 / 110*	6311	1311									
50 / 110**	6410	2311									

*outer ring fitting only / **inner ring fitting only



MK 10-30



TP 150



FT 33



BP 61



SP 50

Официальный дистрибьютор в России

ООО «Альтер Би Элемент»

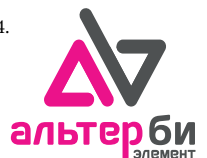
Куликовская ул., 12, офис 604.

Москва, 117628

тел./факс: +7 (495) 109-00-49

info@simatool.ru

www.simatool.ru



simatec

smart technologies