



Installation Instruction

Lubrication System for Rope Care

1. Introduction

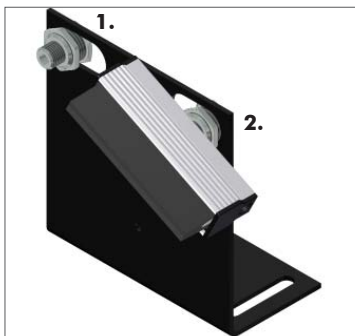
The simple simalube lubrication system is ideally suited for the care of ropes. The continuous release of rope care lubricant is applied through the brush evenly on the ropes.

2. Installation

The simalube lubrication system should be placed where the rope oscillate as little as possible.

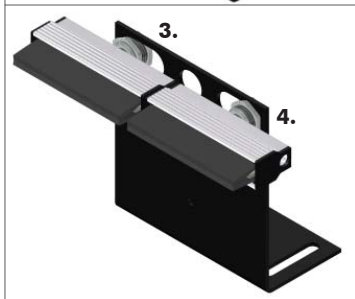
1. Place the fixation nipple as shown
(do not tighten yet)

2. Tighten the brush until it stops

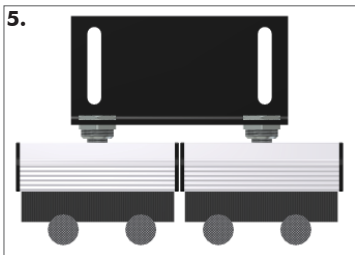


3. Align the brush horizontally

4. Tighten the nut of the fixation nipple



5. Place the simalube lubrication system so that the bristles overlaps the rope by max. 5 mm



6. Mount the lubricators according to the simalube user manual
Attention: cut the nipple of the yellow non-return valve plug



3. Setting of the simalube

With the simalube the released amount of rope care lubricant can be continuously adjusted. The lubricator can be set so as to be discharged within 1 to 12 months. The following criteria must be observed:

- The rope should be damp (finger test)
- Do not overlubricate the rope at all in order to avoid contamination of the installation. (e.g. brake system, cabin, etc.)

Compared to manual lubrication, the amount can be substantially reduced with the automatic lubricator, because the rope care lubricant is applied continuously.

4. Part list

The lubrication system for the cable care can consist of the following items:

Position	Description	Article Number
1.1	simalube 250 ml, filled with rope lubricant	210.1540
1.2*	simalube 125 ml, filled with rope lubricant	210.1440
1.3	simalube 60 ml, filled with rope lubricant	210.1340
2.1*	Brush 100 mm	290.2037
2.2	Brush 70 mm	290.2036
2.3	Brush 40 mm	290.2035
3*	Fixture-bracket for simalube traction cable lubrication	290.6355
4*	Fixation nipple incl. nut	290.1015

*Shown in the drawing below

