

simalube[®] IMPULSE Battery Pack

The original battery pack for the simalube **IMPULSE**

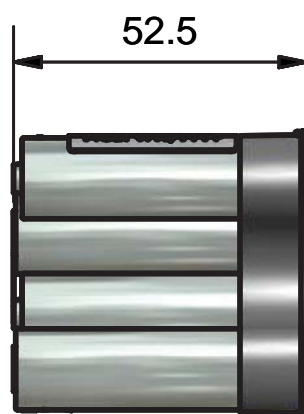
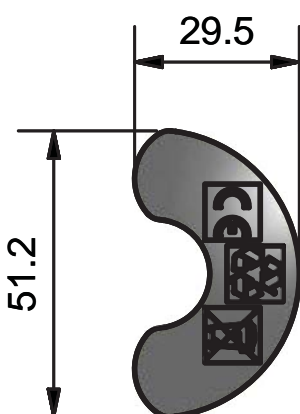


The battery pack has been specifically designed for the simalube IMPULSE. It is a unit of four batteries which together provide the energy for the simalube IMPULSE. The function display and the electric motor are thereby supplied with power.

One battery pack is sufficient, regardless of the lubricator size or the time setting, to empty a simalube dispenser on a simalube IMPULSE. If the simalube is changed, a new battery pack must be fitted.

Technical data of the battery pack for the simalube[®] IMPULSE

| | |
|-------------------------------------|---|
| Product number | 230.5000 |
| Designation IEC | LR6 |
| System | Zn-MnO ₂ (alkaline) |
| Nominal voltage | 4x 1.5 V = 6 V |
| Capacitance C | 2,3 Ah |
| Temperature range | 0 – 55°C |
| Weight | 100 g |
| Warranty & period of use | 3 years from the production date |
| Storage | Recommended at +20 °C (+/- 5 °C) Protect against sunlight and store in a dry place (<65% humidity) |
| Packaging unit | 1 |



Do not recharge the battery pack but recycle the batteries.

simatec ag
 Stadthof 2
 CH-3380 Wangen a. Aare

Phone: +41 (0)32 636 50 00
 Fax: +41 (0)32 636 50 19
 welcome@simatec.com
 www.simatec.com